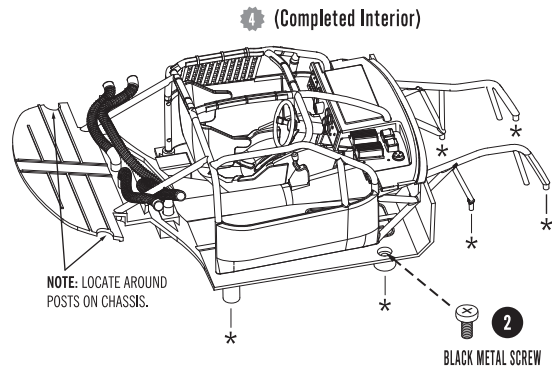
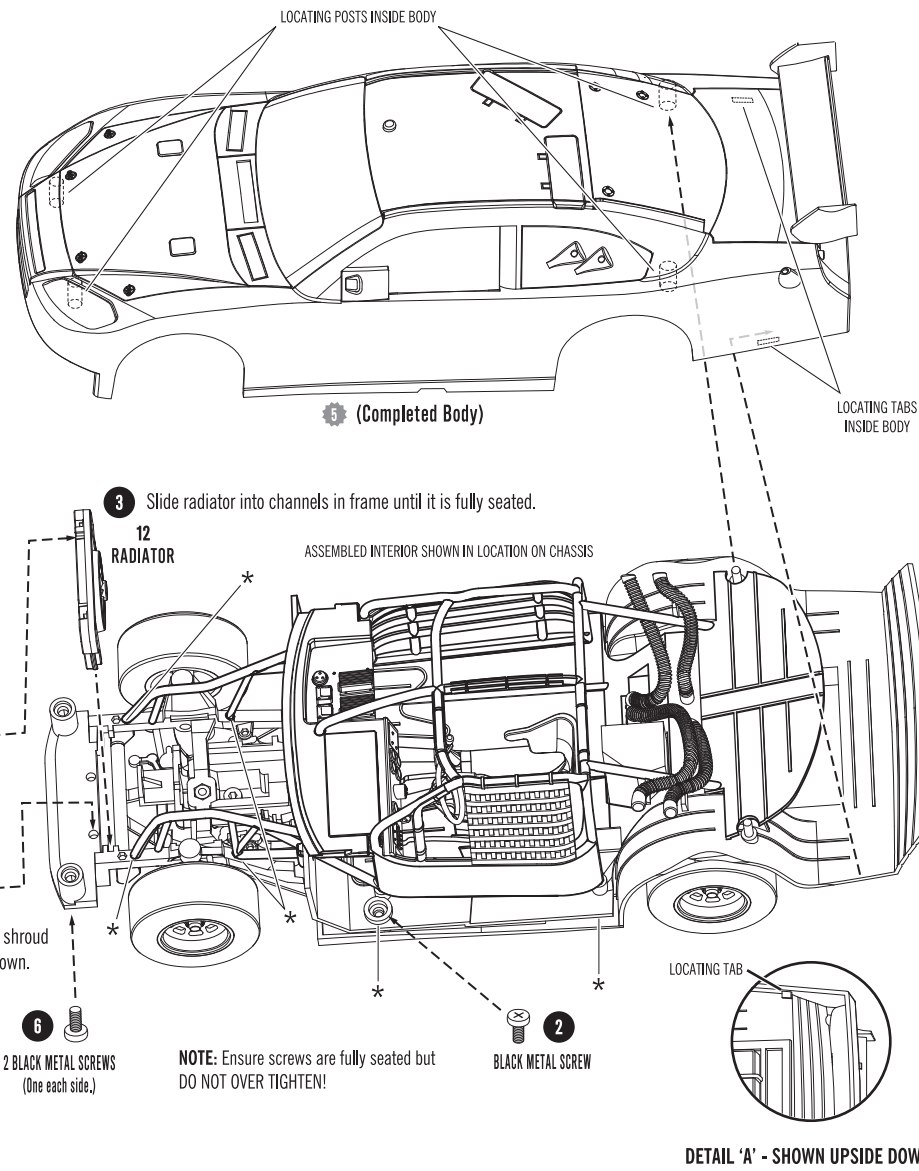
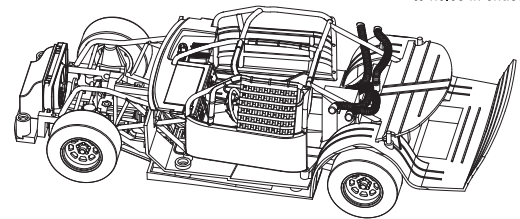


6. BODY TO CHASSIS

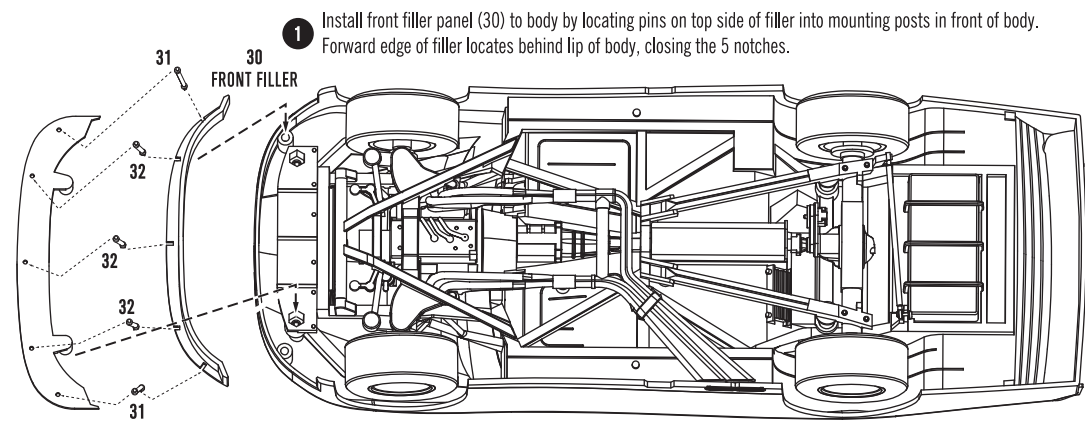
- 1 LOCATE ASSEMBLED INTERIOR TO CHASSIS.** The interior has 8 main points where it connects to the chassis, as shown in the diagrams below by “*”. Set completed interior onto frame and carefully align and insert the pins on the chassis floor pan area into the posts on the underside of the interior. Install two screws as shown in step 2. Then snap forward sections of roll cage into frame.



- 5 LOCATE BODY TO CHASSIS.** The body has 6 main points where it connects to the chassis: 4 posts and 2 tabs. Spread body slightly and place it over chassis, carefully inserting the two pins over the rear wheels on the chassis into the locating posts inside the body. Align the front screw mounting posts of chassis with front posts inside body. Turn body/chassis over. Spread rear of body slightly and make sure chassis is snapped under the tabs in sides of body as shown in DETAIL 'A'. Install two screws in front of chassis as shown in step 6.



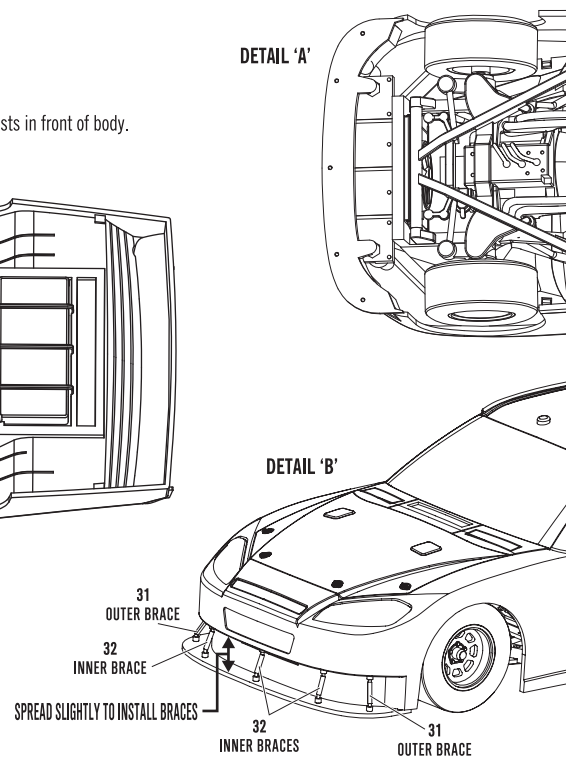
7. FINAL ASSEMBLY



- 2 Posts on chin spoiler (29) locate to two screw holes in chassis as shown. See DETAIL 'A'.**

- 3 BRACE INSTALLATION.** Install the 2 outer braces (31) and 3 inner braces (32) between the front filler and chin spoiler by slightly spreading the chin spoiler out enough to pop in the braces as shown in DETAIL 'B'. Outer braces angle inward from bottom to top. Inner braces angle back towards vertical surface of front filler.

NOTE: Locating pins and joints on braces are very fragile. Use care when installing to avoid breakage.



amt

AW009-200



MARK MARTIN

5

Mark Martin

1/25 SCALE

2010 CHEVROLET® IMPALA™

NASCAR®

READ THIS BEFORE YOU BEGIN

- Carefully study and understand the entire instruction sheet before removing any parts from the trees
- Compare the parts in the box to the instruction sheet to be sure all parts are present and accounted for
- Use clippers or hobby knife to remove parts from the trees - DO NOT twist or bend parts off the trees
- Sand or trim away excess flash and parting lines from parts before assembling
- As you proceed, examine contact points on parts to ensure proper location and alignment
- Sub-assemblies should be painted before other parts are attached
- Cement may be used on parts for a stronger, permanent bond - use sparingly for a clean job

! FOLLOW ASSEMBLY SEQUENCE AS SHOWN AND READ ALL NOTES VERY CAREFULLY

IF YOU WISH TO PAINT PARTS OF YOUR MODEL: Use a solution of mild soap and water to wash parts thoroughly, to remove any dirt or oily residue. Dry parts with a soft towel, then allow them to fully air-dry. Keep your hands and working area clean and dry when assembling your model kit.

Apply a coat of "primer" prior to painting. Any joints that have been glued may then be filled and sanded. Use only filler putty designed for plastic. Test filler on some scrap plastic before applying to your model kit. A tack rag may be used to remove any lint or sanding dust before painting. Paints should be applied evenly in several thin layers rather than one heavy coat. Each layer should be allowed to thoroughly dry before the next is applied. Each coat may be "wet sanded" using slightly damp minimum #1200 sandpaper. Be careful not to remove molded details while sanding. Use frosted tape to mask areas you do not want painted. Remove tape when paint is dry to the touch. Paint lightest colors first. Use a fine brush to touch up edges.

REFER TO BACK OF BOX FOR FULL COLOR DECAL / STICKER PLACEMENT GUIDE. SEE DECAL SHEET FOR APPLICATION INSTRUCTIONS

IMPORTANT : ABOUT THE DECALS AND STICKERS

This model kit includes water-release decals and peel-and-apply stickers. Either format can be used to complete the small decorative details for the kit's body. Young or less experienced modelers may appreciate the ease of applying stickers, while seasoned modelers desiring a more refined appearance will want to use the water-release decals.

The back of the box shows full color views of the car from all sides. Refer to these images for correct placement of the decals or stickers.

TIPS FOR USING STICKERS: Avoid touching the adhesive side of the stickers to prevent fingerprints. Bend the backing sheet enough to lift the edge of the desired sticker and carefully remove it from the sheet. Where possible, it is best to locate the middle of the sticker and work out towards the edges.

VISIT OUR WEB SITE: www.round2models.com

© 2010 HGJ Licensing, LLC. The name, likeness and signature of Mark Martin and the likeness of the #5 Go Daddy Chevrolet are used under license granted by HGJ Licensing, LLC. NASCAR® is a registered trademark of the National Association for Stock Car Auto Racing, Inc. GENERAL MOTORS Trademarks used under license to Round 2, LLC. Goodyear (and wing foot design) and Eagle are trademarks of The Goodyear Tire & Rubber Company, Akron, Ohio USA used under license by Round 2, LLC. AMT & design is a registered trademark of Learning Curve Brands, Inc. used under license to Round 2, LLC. ©2010 Learning Curve Brands, Inc. All rights reserved. ©2010 Round 2, LLC, South Bend, IN 46626 USA. Product and packaging designed in the USA. Made in China. All rights reserved.



SYMBOLS

- 1** Assembly Sequence **DECAL** Apply Decal
- 49** Part Number **3** Completed Assembly

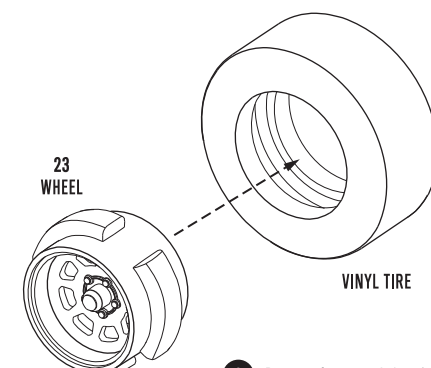
snap it

NO GLUE OR PAINTING REQUIRED!

1. WHEELS & TIRES

- 1** Stretch tire over wheel making sure it is fully seated.

NOTE: To make the tires easier to stretch, run them under very warm water for 30-60 seconds. **BE CAREFUL NOT TO BURN YOUR HANDS.**



NOTE: Goodyear pad print faces out on tires as shown.

- 2** Repeat for remaining 3 wheels and tires.

